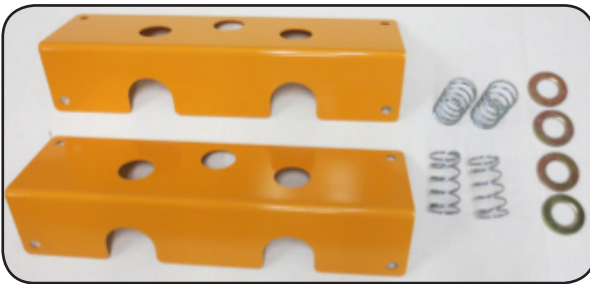


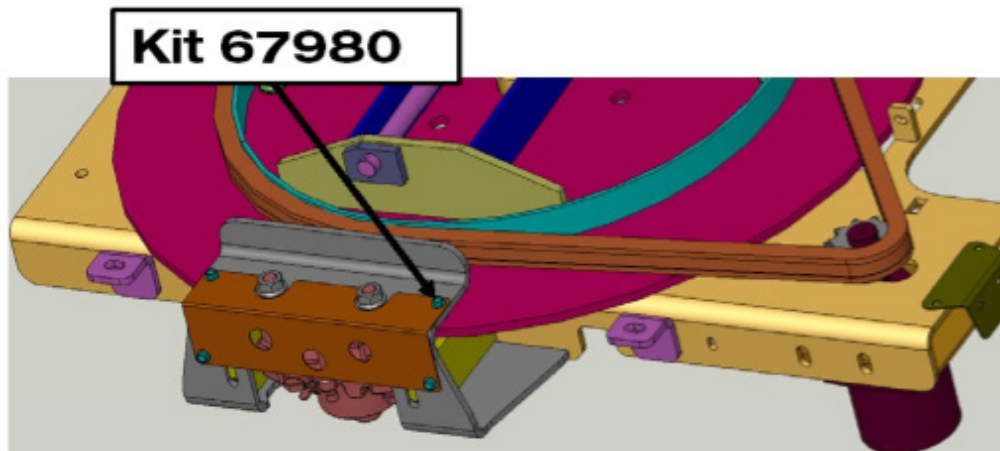
67980: Turntable Brake Caliper Covers and Springs Kit Oxbo 8420, 8420XP, and 8430

To keep Oxbo products effective and efficient, Oxbo is now offering a Turntable Brake Cover and Spring Kit. All 2013 Oxbo machines will be constructed with these as standard equipment.



Advantages

- Releasing the pressure on the caliper reduces the risk of premature wear on the brake pads.
- Life of brake pads and calipers is extended by the new enhancement kit.



Note: Includes Mounting Hardware

For More Information Contact Your Oxbo Representative

Steve Martinez-WA	Rob Gorter-IA	Erin Otterbach-IL	Troy Cripe-IN	Jason Rupnow-WI	Kyle Rice-NY
509.544.0362	319.824.5241	815.561.3030	260.768.3217	800.628.6196x3	585.548.2665