

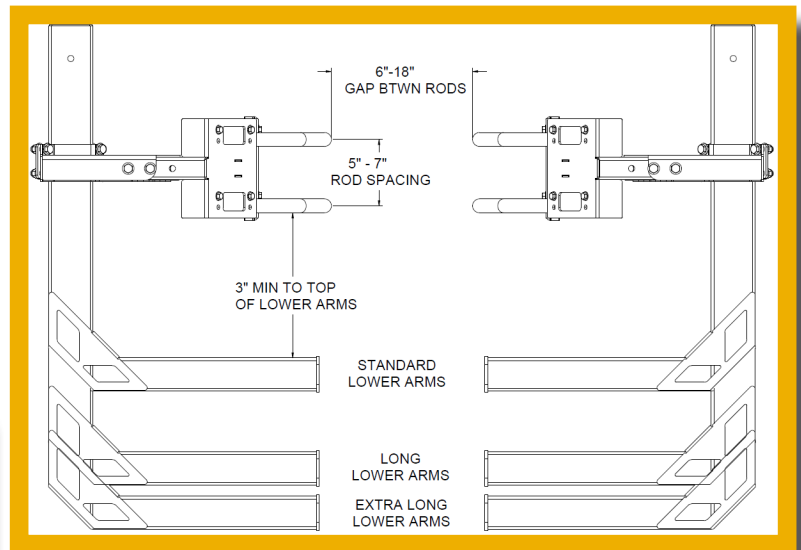
New 2015 Trunk Shaking Helper Rods Design

- Repositioned rod holders for improved durability and life
- Expanded vertical adjustment capability
- Simplified adjustment process; both horizontal and vertical
- Kit Part Number 159150

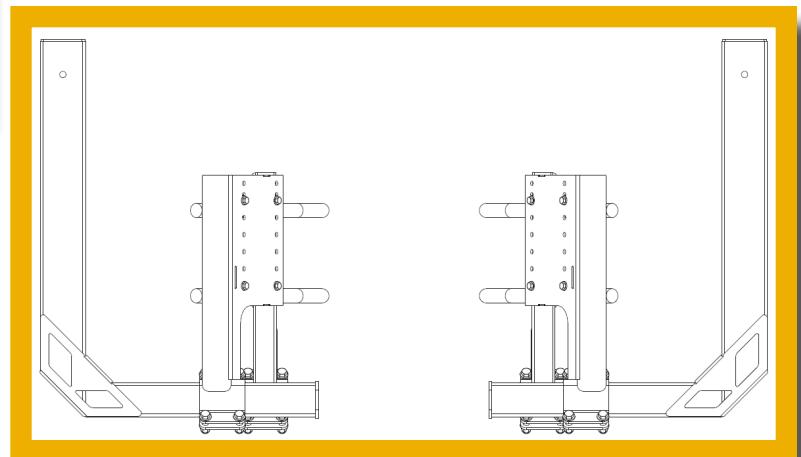
2015 design with new helper rod mounting location



Previous design with helper rod mounted on lower arm leg



Multiple arm options available (Standard, long and extra long)



For more information contact your dealer or call 360.354.1500 ext. 3

www.oxbocorp.com